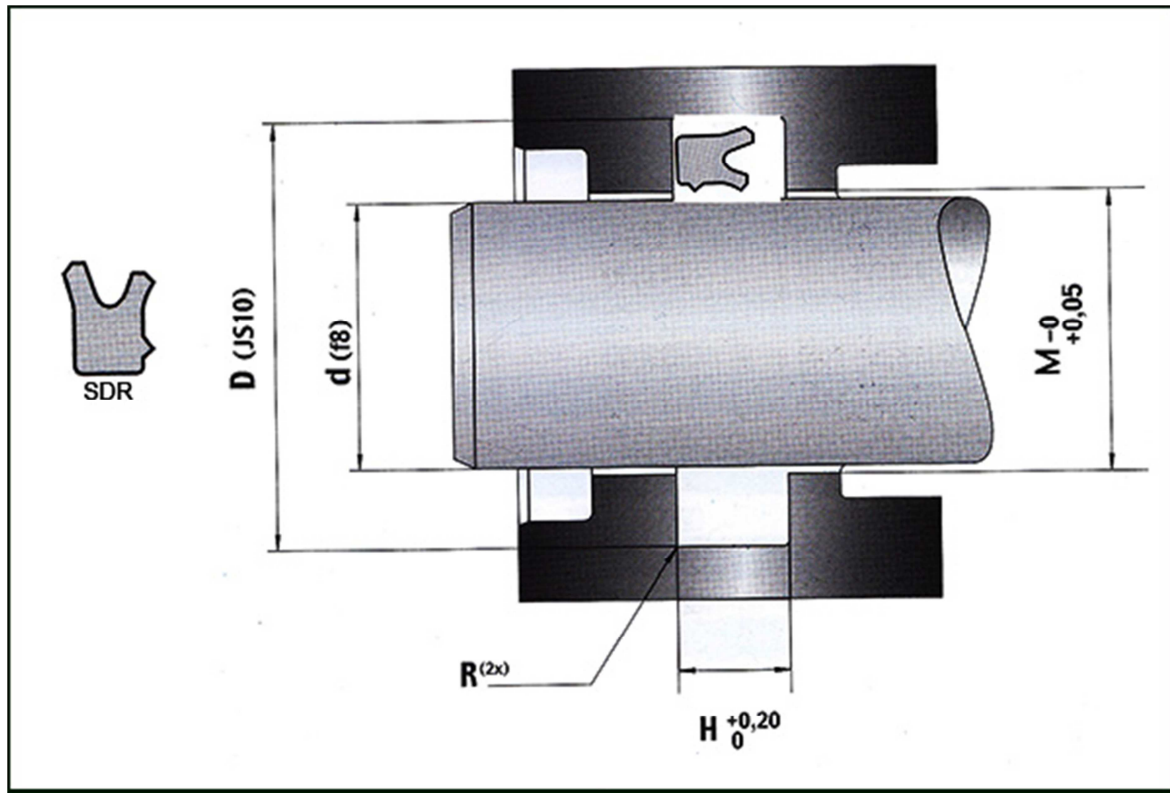


Rod Seals{SDR}



Dimension

NS RIF	d	D	H
SDR 6-12/1	6.00	12.00	5.80
SDR 6-14	6.00	14.00	6.30
SDR 8-14,4/1	8.00	14.40	10.50
SDR 8-14	8.00	14.00	3.20
SDR 8-16	8.00	16.00	6.30
SDR 8-18/1	8.00	18.00	9.00
SDR 10-18	10.00	18.00	6.30
SDR 10-20	10.00	20.00	8.00
SDR 10-20/1	10.00	20.00	9.00
SDR 12-18	12.00	18.00	4.50
SDR 12-20	12.00	20.00	6.40
SDR 12-22	12.00	22.00	8.00
SDR 12-22/1	12.00	22.00	9.00
SDR 14-21	14.00	21.00	5.80
SDR 14-22	14.00	22.00	6.30
SDR 14-24	14.00	24.00	8.00
SDR 14-24/1	14.00	24.00	6.30
SDR 14-24/L	14.00	24.00	8.00

SDR 14-24/1	14.00	24.00	9.00
SDR 15-23/L	15.00	23.00	6.30
SDR 15-23	15.00	23.00	6.30
SDR 15-25/1	15.00	25.00	9.00
SDR 15-26/L	15.00	26.00	8.00
SDR 15,4-25,5/L	15.40	25.50	7.40
SDR 16-20,6	16.00	20.60	3.60
SDR 16-22	16.00	22.00	6.00
SDR 16-22/1	16.00	22.00	4.00
SDR 16-24	16.00	24.00	6.30
SDR 16-24/L	16.00	24.00	6.30
SDR16-24/1	16.00	24.00	7.00
SDR16-24/L	16.00	24.00	7.00
SDR 16-26	16.00	26.00	8.00
SDR 16-26/1	16.00	26.00	9.00
SDR 16-26/2	16.00	26.00	10.00
SDR 18-24	18.00	24.00	5.20
SDR 18-25	18.00	25.00	6.00
SDR 18-26	18.00	26.00	5.70
SDR 18-26	18.00	26.00	6.30
SDR 18-26/1-L	18.00	26.00	7.00
SDR 18-26/1	18.00	26.00	9.00
SDR 18-26/L	18.00	26.00	9.00
SDR 18-28	18.00	28.00	8.00
SDR 18-28/1	18.00	28.00	9.00
SDR 19,5-25,4	19.50	25.40	6.30
SDR 19,5-27,5/L	19.50	27.50	9.00
SDR 20-26/1	20.00	26.00	5.50
SDR 20-26/L	20.00	26.00	5.50
SDR 20-28	20.00	28.00	6.30
SDR 20-28/1	20.00	28.00	7.00
SDR 20-28/AI	20.00	28.00	6.30
SDR 20-28/L	20.00	28.00	7.00
SDR 20-28/AI	20.00	28.00	8.00
SDR 20-28/2	20.00	28.00	8.00
SDR 20-28/3-L	20.00	28.00	7.00
SDR 20-30	20.00	30.00	8.00
SDR 20-30/2	20.00	30.00	9.00
SDR 20-30/3-L	20.00	30.00	9.00
SDR 20-30/1	20.00	30.00	11.00
SDR 20-35	20.00	35.00	11.00
SDR 22-30	22.00	30.00	6.30
SDR 22-30/L	22.00	30.00	6.30
SDR 22-32	22.00	32.00	6.00
SDR 22-32	22.00	32.00	8.00
SDR 22-32/1	22.00	32.00	9.00
SDR 22-32/2	22.00	32.00	11.00
SDR 24-34	24.00	34.00	8.00

SDR 24-34/1	24.00	34.00	9.50
SDR 25-33	25.00	33.00	6.30
SDR 25-33-L	25.00	33.00	6.30
SDR 25-33/3	25.00	33.00	7.00
SDR 25-33/2-L	25.00	33.00	7.00
SDR 25-33/1-L	25.00	33.00	7.50
SDR 25-33	25.00	33.00	7.50
SDR 25-33/1	25.00	33.00	8.00
SDR 25-33/L	25.00	33.00	8.00
SDR 25-33/4-L	25.00	33.00	9.00
SDR 25-33	25.00	33.00	9.00
SDR 25-33/2	25.00	33.00	11.00
SDR 25-33/2-L	25.00	33.00	10.00
SDR 25-35	25.00	35.00	8.00
SDR 25-35/L	25.00	35.00	9.00
SDR 25-35/2	25.00	35.00	9.00
SDR 25-35/3/L	25.00	35.00	11.00
SDR 25-35/1	25.00	35.00	11.00
SDR 25-38/1	25.00	38.00	10.00
SDR 25-40	25.00	40.00	11.00
SDR 26-33,5	26.00	33.50	5.00
SDR 28-36	28.00	36.00	6.30
SDR 28-38	28.00	38.00	8.00
SDR 28-38/L	28.00	38.00	7.50
SDR 28-38/L	28.00	38.00	8.50
SDR 28-38/1	28.00	38.00	9.00
SDR 28-38/2	28.00	38.00	11.00
SDR 28-40	28.00	40.00	9.50
SDR 28-43	28.00	43.00	12.50
SDR 28,57-36,50/L	28.57	36.50	7.50
SDR 30-38	30.00	38.00	6.30
SDR 30-38/L	30.00	38.00	6.30
SDR 30-38/1	30.00	38.00	9.00
SDR 30-38/2	30.00	38.00	7.00
SDR 30-38/2-AI	30.00	38.00	7.00
SDR 30-40/3	30.00	40.00	6.30
SDR 30-40/1-L	30.00	40.00	7.50
SDR 30-40	30.00	40.00	8.00
SDR 30-40/L	30.00	40.00	8.00
SDR 30-40/2	30.00	40.00	10.50
SDR 30-40/1	30.00	40.00	11.00
SDR 30-40/3-L	30.00	40.00	11.00
SDR 30-43	30.00	43.00	10.00
SDR 30-45/1	30.00	45.00	9.00
SDR 30-45	30.00	45.00	11.00
SDR 30-45/2-L	30.00	45.00	11.00
SDR 31,75-41,27/L	31.75	41.27	7.50
SDR 32-40	32.00	40.00	6.30
SDR 32-40/2	32.00	40.00	5.00

SDR 32-40	32.00	40.00	8.00
SDR 32-40/L	32.00	40.00	7.70
SDR 32-40/1	32.00	40.00	9.00
SDR 32-41,5/L	32.00	41.50	8.00
SDR 32-42	32.00	42.00	8.00
SDR 32-42/1	32.00	42.00	11.00
SDR 32-42,5/1	32.00	42.53	9.00
SDR 32-45/1	32.00	45.00	10.50
SDR 32-47/1	32.00	47.00	11.00
SDR 33-43	33.00	43.00	11.00
SDR 35-43	35.00	43.00	6.30
SDR 35-43/L	35.00	43.00	8.00
SDR 35-43/1	35.00	43.00	9.00
SDR 35-43/2	35.00	43.00	7.00
SDR 35-43/3	35.00	43.00	11.00
SDR 35-43-L	35.00	43.00	7.00
SDR 35-45	35.00	45.00	8.00
SDR 35-45/L	35.00	45.00	8.00
SDR 35-45/N	35.00	45.00	7.00
SDR 35-45/1	35.00	45.00	11.00
SDR 35-45/L	35.00	45.00	11.00
SDR 35-45/2	35.00	45.00	13.50
SDR 35-46	35.00	46.00	9.00
SDR 35-46/1	35.00	46.00	10.00
SDR 35-50	35.00	50.00	11.00
SDR 35-51	35.00	51.00	10.00
SDR 35-51/L	35.00	51.00	11.00
SDR 35-55	35.00	55.00	13.00
SDR36-44/L	36.00	44.00	7.00
SDR 36-44	36.00	44.00	6.30
SDR 36-46	36.00	46.00	8.00
SDR 36-46/AI	36.00	46.00	8.00
SDR 36-46/L	36.00	46.00	8.50
SDR 36-46/1-L	36.00	46.00	11.00
SDR 36-48	36.00	48.00	9.00
SDR 36-51	36.00	51.00	11.00
SDR 36-51/1	36.00	51.00	12.50
SDR 37-45	37.00	45.00	6.30
SDR 37-45/L	37.00	45.00	6.30
SDR 38-45	38.00	45.00	5.50
SDR 38-45/1	38.00	45.00	7.00
SDR 38-48/L	38.00	48.00	10.00
SDR 38-48	38.00	48.00	9.00
SDR 38,10-47,62/L	38.10	47.62	7.50
SDR 40-44,8	40.00	44.8	4.00
SDR 40-48	40.00	48.00	6.30
SDR 40-48/1	40.00	48.00	9.00
SDR 40-48/AI	40.00	48.00	9.00
SDR 40-48/L	40.00	48.00	6.30

SDR 40-49,5/1	40.00	49.52	10.50
SDR 40-49,5/L	40.00	49.52	10.50
SDR 40-50	40.00	50.00	8.00
SDR 40-50/AI	40.00	50.00	8.00
SDR 40-50/L	40.00	50.00	8.00
SDR 40-50/N	40.00	50.00	7.00
SDR 40-50/1	40.00	50.00	11.00
SDR 40-50/3-L	40.00	50.00	11.00
SDR 40-50/2	40.00	50.00	13.50
SDR 40-52	40.00	52.00	9.00
SDR 40-55	40.00	55.00	11.00
SDR 40-55/L	40.00	55.00	11.00
SDR 40-55/AI	40.00	55.00	11.00
SDR 40-55/1	40.00	55.00	12.50
SDR 40-60	40.00	60.00	13.00
SDR 40-60/L	40.00	60.00	13.00
SDR 42-50/L	42.00	50.00	12.50
SDR 42-51/L-AI	42.00	51.00	11.00
SDR 42-53/L	42.00	53.00	10.00
SDR 42-62/1	42.00	62.00	11.00
SDR 42-62	42.00	62.00	13.00
SDR 44,45-53,97/L	44.45	53.97	7.50
SDR 45-50/L	45.00	50.00	6.00
SDR 45-52/L-AI	45.00	52.00	14.00
SDR 45-53	45.00	53.00	6.30
SDR 45-53/3	45.00	53.00	9.00
SDR 45-53/2	45.00	53.00	11.00
SDR 45-53/L	45.00	53.00	12.50
SDR 45-53/1	45.00	53.00	13.00
SDR 45-55	45.00	55.00	6.50
SDR 45-55	45.00	55.00	8.00
SDR 45-55/2-L	45.00	55.00	8.00
SDR 45-55/N	45.00	55.00	7.00
SDR 45-55/1	45.00	55.00	11.00
SDR 45-55/1-L	45.00	55.00	11.00
SDR 45-55/3-L	45.00	55.00	12.00
SDR 45-57,7	45.00	57.00	10.50
SDR 45-57,7/L	45.00	57.70	10.50
SDR 45-58/1	45.00	58.00	10.00
SDR 45-60	45.00	60.00	11.00
SDR 45-60/1	45.00	60.00	12.50
SDR 45-65/2	45.00	65.00	11.00
SDR 45-65	45.00	65.00	13.00
SDR 46-65/1	45.00	65.00	14.50
SDR 46-56	46.00	56.00	8.00
SDR 46-56	46.00	56.00	9.00
SDR 47-56,3	47.00	56.30	10.00
SDR 48-56/1-L	48.00	56.00	12.50
SDR 48-56/L	48.00	56.00	13.00

SDR 50-57/L	50.00	57.00	11.00
SDR 50-58/L	50.00	58.00	12.50
SDR 50-59/L-AI	50.00	59.00	11.00
SDR 50-60	50.00	60.00	8.00
SDR 50-60/L	50.00	60.00	8.00
SDR 50-60/L-AI	50.00	60.00	8.00
SDR 50-60/L	50.00	60.00	7.50
SDR 50-60/1	50.00	60.00	11.00
SDR 50-60/1-L-AI	50.00	60.00	11.00
SDR 50-60/AI	50.00	60.00	11.00
SDR 50-60/2	50.00	60.00	13.00
SDR 50-62	50.00	62.00	9.00
SDR 50-62/AI	50.00	62.00	9.00
SDR 50-62,7/1	50.00	62.70	10.50
SDR 50-62,7/L	50.00	62.70	10.50
SDR 50-65	50.00	65.00	11.00
SDR 50-65-/1-L	50.00	65.00	11.00
SDR 50-65/AI	50.00	65.00	11.00
SDR 50-65/L-AI	50.00	65.00	11.00
SDR 50-65/1	50.00	65.00	12.50
SDR 50-65/L	50.00	65.00	16.50
SDR 50-68	50.00	68.00	10.00
SDR 50-70/1	50.00	70.00	11.00
SDR 50-70	50.00	70.00	13.00
SDR 50-70/L	50.00	70.00	13.00
SDR 50-70/L-AI	50.00	70.00	13.00
SDR 50-70/2	50.00	70.00	14.50
SDR 50-70/L	50.00	70.00	15.00
SDR 53-63	53.00	63.00	6.00
SDR 50,80-60,32/L	50.80	60.32	8.00
SDR 55-62,5/L	55.00	62.50	10.00
SDR 55-63/L	55.00	63.00	12.50
SDR 55-63/L	55.00	63.00	9.00
SDR 55-63	55.00	63.00	9.00
SDR 55-63/1	55.00	63.00	13.00
SDR 55-65	55.00	65.00	8.00
SDR 55-65/4	55.00	65.00	6.00
SDR 55-65/N	55.00	65.00	7.00
SDR 55-65/1-L	55.00	65.00	9.50
SDR 55-65/1	55.00	65.00	11.00
SDR 55-65/L	55.00	65.00	11.00
SDR 55-65/AI	55.00	65.00	11.00
SDR 55-65/2	55.00	65.00	13.00
SDR 55-65/3	55.00	65.00	14.50
SDR 55-67/1	55.00	67.00	11.00
SDR 55-70	55.00	70.00	11.00
SDR 55-70/1	55.00	70.00	13.00
SDR 55-75	55.00	75.00	13.00
SDR 55-75/1	55.00	75.00	14.50

SDR 56-66	56.00	66.00	8.00
SDR 56-66/1	56.00	66.00	11.00
SDR 56-71	56.00	71.00	11.00
SDR 56-71/2	56.00	71.00	9.50
SDR 56-71/1	56.00	71.00	12.50
SDR 56-71/1-L	56.00	71.00	12.50
SDR 56-76	56.00	76.00	8.00
SDR 56-76	56.00	76.00	13.00
SDR 56-76/1	56.00	76.00	14.50
SDR 56-76/2	56.00	76.00	16.00
SDR 57,1-66,7/L	57.10	66.70	10.50
SDR 57,1-69,8/L	57.10	69.80	10.50
SDR 60-65/L	60.00	65.00	6.50
SDR 60-68/L	60.00	68.00	12.50
SDR 60-68/L-AI	60.00	68.00	14.00
SDR 60-69/L-AI	60.00	69.00	11.00
SDR 60-70	60.00	70.00	8.00
SDR 60-70/AI	60.00	70.00	8.50
SDR 60-70/N	60.00	70.00	7.00
SDR 60-70/2	60.00	70.00	11.00
SDR 60-70/L	60.00	70.00	12.50
SDR 60-70/1	60.00	70.00	13.00
SDR 60-70/1-L	60.00	70.00	13.00
SDR 60-70/L	60.00	70.00	16.00
SDR 60-72	60.00	72.00	9.00
SDR 60-72/1	60.00	72.00	10.00
SDR60-75	60.00	75.00	11.00
SDR 60-75/L	60.00	75.00	11.00
SDR 60-75/L	60.00	75.00	12.50
SDR 60-75/1	60.00	75.00	13.00
SDR 60-75/1-L	60.00	75.00	13.00
SDR 60-75/L	60.00	75.00	16.50
SDR 60-77	60.00	77.00	12.00
SDR 60-80	60.00	80.00	13.00
SDR 60-80/L-AI	60.00	80.00	13.00
SDR 60-80/1	60.00	80.00	14.50
SDR 61-69	61.00	69.00	8.50
SDR 62-74/1	62.00	74.00	14.00
SDR 63-73/1	63.00	73.00	11.00
SDR 63-73/2	63.00	73.00	13.00
SDR 63-73/2-L	63.00	73.00	13.00
SDR 63-73/N	63.00	73.00	7.00
SDR 63-75/L	63.00	75.00	11.00
SDR 63-78	63.00	78.00	11.00
SDR 63-78/1-L	63.00	78.00	12.50
SDR 63-78/L-AI	63.00	78.00	12.50
SDR 63-78/2	63.00	78.00	12.50
SDR 63-78/1	63.00	78.00	13.00
SDR 63-83	63.00	83.00	13.00

SDR 63-83/L	63.00	83.00	13.00
SDR 63-83/L-AI	63.00	83.00	13.00
SDR 63-83/1	63.00	83.00	14.50
SDR 63-83/L	63.00	83.00	14.50
SDR 63-83/2	63.00	83.00	16.00
SDR 63,5-76,2/L	63.50	76.20	10.50
SDR 65-73/L	65.00	73.00	12.50
SDR 65-73/L-AI	65.00	73.00	12.50
SDR 65-75/L	65.00	75.00	9.00
SDR 65-75/3	65.00	75.00	11.00
SDR 65-75/L	65.00	75.00	11.00
SDR 65-75/2-L	65.00	75.00	12.50
SDR 65-75/1-L	65.00	75.00	13.00
SDR 65-75/2	65.00	75.00	14.50
SDR 65-77/1	65.00	77.00	10.00
SDR 65-77,7/L	65.00	77.00	10.50
SDR 65-80	65.00	80.00	11.00
SDR 65-80/1	65.00	80.00	13.00
SDR 65-85	65.00	85.00	13.00
SDR 65-85/1	65.00	85.00	14.50
SDR 66-80/L	66.00	80.00	11.00
SDR 67-75/L	67.00	75.00	12.50
SDR 69,8-82,5/L	69.80	82.50	10.50
SDR 70-77,5	70.00	77.50	10.00
SDR 70-78/L	70.00	78.00	12.50
SDR 70-79/L	70.00	79.00	14.00
SDR70-80/3	70.00	80.00	6.50
SDR 70-80	70.00	80.00	8.00
SDR 70-80/4	70.00	80.00	6.00
SDR 70-80/L-AI	70.00	80.00	8.00
SDR 70-80/3-L	70.00	80.00	9.00
SDR 70-80/2	70.00	80.00	11.00
SDR 70-80/L	70.00	80.00	12.50
SDR 70-80/1	70.00	80.00	13.00
SDR 70-80/1-L	70.00	80.00	13.00
SDR 70-85	70.00	85.00	11.00
SDR 70-85/2	70.00	85.00	12.50
SDR 70-85/L	70.00	85.00	12.50
SDR 70-85/L-AI	70.00	85.00	12.50
SDR 70-85/1	70.00	85.00	13.00
SDR 70-90	70.00	90.00	13.00
SDR 70-90/L	70.00	90.00	13.00
SDR 70-90/1	70.00	90.00	14.50
SDR 70-90/2	70.00	90.00	16.00
SDR 73-82,4/L	73.00	82.40	7.80
SDR 73-82,5	73.00	82.50	8.00
SDR 75-80/L	75.00	80.00	6.50
SDR 75-83/L	75.00	83.00	12.50
SDR 75-85	75.00	85.00	8.00

SDR 75-85/1-L	75.00	85.00	9.50
SDR 75-85/2-L	75.00	85.00	11.00
SDR 75-85/L	75.00	85.00	12.50
SDR 75-85/1	75.00	85.00	13.00
SDR 75-87	75.00	87.00	9.60
SDR 75-90	75.00	90.00	11.00
SDR 75-90/L	75.00	90.00	12.50
SDR 75-90/1	75.00	90.00	13.00
SDR 75-95	75.00	95.00	13.00
SDR 75-95/1	75.00	95.00	14.50
SDR 76-84/1	76.00	84.00	8.50
SDR 76,2-88,9/L	76.20	88.90	10.50
SDR 77-86/L	77.00	86.00	15.00
SDR 78-86/1-L	78.00	86.00	12.50
SDR 78-86/L-AI	78.00	86.00	14.00
SDR 78-86/L	78.00	86.00	14.50
SDR 78-88/L	78.00	88.00	13.00
SDR 78-90/L	78.00	90.00	13.00
SDR 79,4-88,9/L	79.40	88.90	10.50
SDR 80-88/L	80.00	88.00	12.50
SDR 80-90	80.00	90.00	8.00
SDR 80-90/2	80.00	90.00	13.00
SDR 80-90/AI	80.00	90.00	13.00
SDR 80-90/L	80.00	90.00	13.50
SDR 80-90/1	80.00	90.00	15.00
SDR 80-95	80.00	95.00	11.00
SDR 80-95/1	80.00	95.00	12.50
SDR 80-95/L	80.00	95.00	12.50
SDR 80-95/2	80.00	95.00	13.00
SDR 80-95/2-L	80.00	95.00	13.00
SDR 80-100	80.00	100.00	13.00
SDR 80-100/L	80.00	100.00	13.00
SDR 80-100/1	80.00	100.00	14.50
SDR 80-100/2	80.00	100.00	16.00
SDR 82,5-97,5/L	82.50	97.50	13.00
SDR 85-92,5/L	85.00	92.50	12.00
SDR 85-93/L	85.00	93.00	12.50
SDR 85-93	85.00	93.00	12.50
SDR 85-95/L	85.00	95.00	8.00
SDR 85-95/L	85.00	95.00	12.00
SDR 85-95/2	85.00	95.00	12.00
SDR 85-95/L	85.00	95.00	12.50
SDR 85-95/1	85.00	95.00	13.00
SDR 85-95/L	85.00	95.00	13.00
SDR 85-100/1	85.00	100.00	12.00
SDR 85-100/3	85.00	100.00	12.50
SDR 85-100/3-L	85.00	100.00	12.50
SDR 85-100/2	85.00	100.00	13.00
SDR 85-105	85.00	105.00	13.00

SDR 85-105-/1	85.00	105.00	14.50
SDR 88,5-96,5	88.50	96.50	12.50
SDR 88,5-96,5/L	88.50	96.50	12.50
SDR 88.9-101,6/L	88.90	101.60	10.50
SDR 90-98/L	90.00	98.00	12.50
SDR 90-100/L	90.00	100.00	8.00
SDR 90-100/1	90.00	100.00	12.50
SDR 90-100/L	90.00	100.00	12.50
SDR 90-100/2	90.00	100.00	6.00
SDR 90-105/2	90.00	105.00	9.50
SDR 90-105/4	90.00	105.00	10.50
SDR 90-105/3	90.00	105.00	12.50
SDR 90-105/L	90.00	105.00	12.50
SDR 90-105/1	90.00	105.00	13.00
SDR 90-105/N	90.00	105.00	10.00
SDR 90-110	90.00	110.00	13.00
SDR 90-110/L	90.00	110.00	13.00
SDR 90-110/1	90.00	110.00	16.00
SDR 91-99/1	91.00	99.00	8.50
SDR 93-104/1	93.00	104.00	11.00
SDR 95-103/L	95.00	103.00	12.50
SDR 95-105/1-L	95.00	105.00	9.50
SDR 95-105/1	95.00	105.00	11.00
SDR 95-105/L	95.00	105.00	13.00
SDR 95-115	95.00	115.00	13.00
SDR 97-105/1-L	97.00	105.00	12.50
SDR 97-105/L-AI	97.00	105.00	14.00
SDR 97-105/L	97.00	105.00	14.50
SDR 97-106/L	97.00	106.00	15.00
SDR 99-109/L	90.00	109.00	13.00
SDR 100-108/L	100.00	108.00	12.50
SDR 100-110/1-L	100.00	110.00	11.00
SDR 100-110/L	100.00	110.00	12.50
SDR 100-110/1	100.00	110.00	15.00
SDR 100-113/1	100.00	113.00	13.50
SDR 100-115/N	100.00	115.00	10.00
SDR 100-115/2	100.00	115.00	11.50
SDR 100-115/1	100.00	115.00	13.00
SDR 100-115/L	100.00	115.00	12.00
SDR 100-120	100.00	120.00	13.00
SDR 100-120/L	100.00	120.00	13.00
SDR 100-120/1	100.00	120.00	14.50
SDR 100-120/L-AI	100.00	120.00	14.50
SDR 100-120/2	100.00	120.00	16.00
SDR 100-125	100.00	125.00	19.00
SDR 105-113/1-L	105.00	113.00	12.50
SDR 105-113/L	105.00	113.00	14.50
SDR 105-115/1	105.00	115.00	11.00
SDR 105-115/2	105.00	115.00	12.50

SDR 105-115/L	105.00	115.00	12.50
SDR 105-115/3	105.00	115.00	14.50
SDR 105-120	105.00	120.00	11.00
SDR 105-120/N	105.00	120.00	10.00
SDR 105-125	105.00	125.00	15.00
SDR 105-125	105.00	125.00	13.00
SDR 107-122	107.00	122.00	11.00
SDR 108,5-116,5	108.50	116.50	12.50
SDR 110-118/L	110.00	118.00	12.50
SDR 110-125/1	110.00	125.00	12.00
SDR 110-125/L	110.00	125.00	12.00
SDR 110-125/2	110.00	125.00	16.00
SDR 110-125/2-L	110.00	125.00	16.00
SDR 110-130	110.00	130.00	13.00
SDR 110-130/L	110.00	130.00	13.00
SDR 110-130/1	110.00	130.00	16.00
SDR 110-135	110.00	135.00	20.00
SDR 112-122/L	112.00	122.00	11.00
SDR 113-123/1-L	113.00	123.00	9.50
SDR 113-135	113.00	135.00	16.00
SDR 115-123/L	115.00	123.00	12.50
SDR 115-125/1-L	115.00	125.00	13.00
SDR 115-125/L	115.00	125.00	15.00
SDR 115-130/L	115.00	130.00	11.00
SDR 115-135	115.00	135.00	13.00
SDR 117-126/L	117.00	126.00	15.00
SDR 118-126/L-AI	118.00	126.00	12.50
SDR 118-126/L-AI	118.00	126.00	14.00
SDR 118-126/L	118.00	126.00	14.50
SDR 120-128/L	120.00	128.00	12.50
SDR 120-130/1	120.00	130.00	8.00
SDR 120-130/2	120.00	130.00	12.50
SDR 120-130/L	120.00	130.00	12.50
SDR 120-130/1-L	120.00	130.00	13.00
SDR 120-132/1-L	120.00	132.00	11.00
SDR 120-135/L-AI	120.00	135.00	12.50
SDR 120-135/1	120.00	135.00	12.50
SDR 120-135/2	120.00	135.00	16.00
SDR 120-135/L	120.00	135.00	16.00
SDR 120-140	120.00	140.00	13.00
SDR 120-140/L	120.00	140.00	13.00
SDR 120-140/1	120.00	140.00	16.00
SDR 121-135/L	121.00	135.00	10.00
SDR 125-133/L	125.00	133.00	12.50
SDR 125-135/L	125.00	135.00	11.00
SDR 125-140/L-AI	125.00	140.00	12.50
SDR 125-140/L	125.00	140.00	12.50
SDR 125-145	125.00	145.00	13.00
SDR 125-145/1	125.00	145.00	16.00

SDR 125-150	125.00	150.00	15.00
SDR 125-150/1	125.00	150.00	20.00
SDR 125-155	125.00	155.00	19.00
SDR 125,05-140,5	125.05	140.50	10.50
SDR 127-140/L	127.00	140.00	12.50
SDR 127-150	127.00	150.00	16.00
SDR 128-136/L	128.00	136.00	12.50
SDR 128,5-136,5	128.50	136.50	12.50
SDR 128,5-136,5/L	128.50	136.50	12.50
SDR 130-138/L	130.00	138.00	12.50
SDR 130-140	130.00	140.00	8.00
SDR 130-145/2	130.00	145.00	15.00
SDR 130-145/1	130.00	145.00	16.00
SDR 130-150	130.00	150.00	13.00
SDR 130-150/1	130.00	150.00	16.00
SDR 131-150/L	131.00	150.00	14.00
SDR 132-140/L	132.00	140.00	13.00
SDR 132-142/1-L	132.00	142.00	9.50
SDR 135-143/L	135.00	143.00	12.50
SDR 135-150/L	135.00	150.00	12.50
SDR 135-150/1-L	135.00	150.00	16.00
SDR 137-146/L	137.00	146.00	15.00
SDR 137-152/L	137.00	152.00	13.00
SDR 140-148/L	140.00	148.00	12.50
SDR 140-150/1	140.00	150.00	12.50
SDR 140-150/L	140.00	150.00	12.50
SDR 140-155/1	140.00	155.00	13.00
SDR 140-155,5/AI	140.00	155.00	6.30
SDR 140-160	140.00	160.00	13.00
SDR 140-160/2	140.00	160.00	16.00
SDR 140-165	140.00	165.00	20.00
SDR 141-151/L	141.00	151.00	13.00
SDR 143-151/1-L	143.00	151.00	12.50
SDR 143-151/L-AI	143.00	151.00	14.00
SDR 143-151/L	143.00	151.00	14.50
SDR 145-155/L	145.00	155.00	13.00
SDR 145-157,7/1	145.00	157.70	10.00
SDR 145-160/L	145.00	160.00	13.00
SDR 145-165	145.00	165.00	16.00
SDR 147-160/1	147.00	160.00	13.00
SDR 147-170/1	147.00	170.00	16.00
SDR 148-160/L	148.00	160.00	13.00
SDR 148,5-156,5	148.50	156.50	12.50
SDR 150-170	150.00	170.00	13.00
SDR 150-170/L	150.00	170.00	14.00
SDR 150-170/1	150.00	170.00	14.50
SDR 150-170/2	150.00	170.00	16.00
SDR 150-170/3	150.00	170.00	14.00
SDR 152-160/L	152.00	160.00	12.50

SDR 152-162/L	152.00	162.00	11.00
SDR 152-171/L	152.00	171.00	12.50
SDR 152,5-160,5/L	152.50	160.50	15.00
SDR 155-163/L	155.00	163.00	12.50
SDR 160-168/L	160.00	168.00	12.50
SDR 160-170/L	160.00	170.00	12.50
SDR 160-180	160.00	180.00	13.00
SDR 160-180/1	160.00	180.00	16.00
SDR 160-185	160.00	185.00	20.00
SDR 162-172/L	162.00	172.00	13.00
SDR 163,5-178/L	163.50	178.00	13.00
SDR 165-177/L	165.00	177.00	9.00
SDR 165-184/L	165.00	184.00	14.00
SDR 165,1-184,1	165.10	184.10	13.50
SDR 165-195	165.00	195.00	21.00
SDR 170-178/L	170.00	178.00	12.50
SDR 170-180/L	170.00	180.00	13.00
SDR 170-182,7	170.00	182.70	10.00
SDR 170-190	170.00	190.00	13.00
SDR 170-190/1	170.00	190.00	16.00
SDR 171-179/L	171.00	179.00	12.50
SDR 171-179/L-AI	171.00	179.00	14.00
SDR 171,5-179,5	171.50	179.50	12.50
SDR 175-185/L	175.00	185.00	13.00
SDR 177-205/L	177.00	205.00	20.00
SDR 180-188/L	180.00	188.00	14.50
SDR 180-190/L	180.00	190.00	11.00
SDR 180-195/L	180.00	195.00	13.50
SDR 180-200	180.00	200.00	13.00
SDR 180-200/1	180.00	200.00	16.00
SDR 180-200/2	180.00	200.00	20.00
SDR 185-193/L	185.00	193.00	12.50
SDR 190-210	190.00	210.00	13.00
SDR 190-210/1	190.00	210.00	16.00
SDR 194,5-202,5	194.50	202.50	12.50
SDR 198-207,6	198.00	207.60	7.50
SDR 200-208/L	200.00	208.00	12.50
SDR 200-210/L	200.00	210.00	13.00
SDR 200-212/1	200.00	212.00	16.00
SDR 200-220	200.00	220.00	13.00
SDR 200-220/1	200.00	220.00	16.00
SDR 200-225	200.00	225.00	20.00
SDR 205-220/L	205.00	220.00	13.50
SDR 207-217/L	207.00	217.00	16.00
SDR 208-216/L	208.00	216.00	9.00
SDR 209-228/L	209.00	228.00	14.00
SDR 210-230	210.00	230.00	13.00
SDR 210-230/2	210.00	230.00	16.00
SDR 210-235/1	210.00	235.00	26.00

SDR 212-220/L	212.00	220.00	14.50
SDR 220-240	220.00	240.00	13.00
SDR 220-240/1	220.00	240.00	16.00
SDR 220-250	220.00	250.00	19.00
SDR 230-250	230.00	250.00	13.00
SDR 232-246/L	232.00	246.00	13.00
SDR 240-260	240.00	260.00	13.00
SDR 240-260/1	240.00	260.00	16.00
SDR 240-270	240.00	270.00	19.00
SDR 245-270/L-AI	245.00	270.00	20.00
SDR 250-270	250.00	270.00	13.00
SDR 250-270/1	250.00	270.00	16.00
SDR 250-280	250.00	280.00	23.00
SDR 270-300	270.00	300.00	19.00
SDR 280-305/1	280.00	305.00	16.00
SDR 280-310	280.00	310.00	25.00
SDR 305-330/L-AI	305.00	330.00	20.00