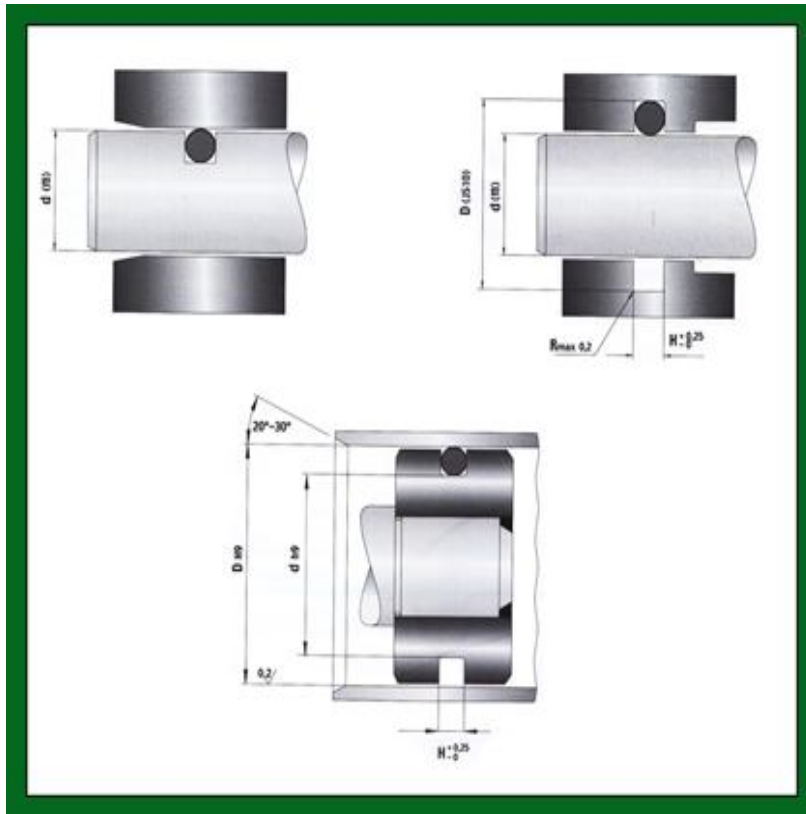


O Rings



Dimension

| NS RIF | d | T |
|----------|------|------|
| RO / NBR | 1.78 | 1.78 |
| RO / NBR | 2.57 | 1.78 |
| RO / NBR | 2.90 | 1.78 |
| RO / NBR | 3.17 | 1.78 |
| RO / NBR | 3.69 | 1.78 |
| RO / NBR | 4.47 | 1.78 |
| RO / NBR | 4.76 | 1.78 |
| RO / NBR | 5.28 | 1.78 |
| RO / NBR | 6.07 | 1.78 |
| RO / NBR | 6.35 | 1.78 |
| RO / NBR | 6.75 | 1.78 |
| RO / NBR | 7.65 | 1.78 |
| RO / NBR | 7.94 | 1.78 |
| RO / NBR | 8.48 | 1.78 |
| RO / NBR | 8.73 | 1.78 |
| RO / NBR | 9.25 | 1.78 |
| RO / NBR | 9.52 | 1.78 |
| RO / NBR | 9.75 | 1.78 |

| | | |
|----------|--------|------|
| RO / NBR | 10.82 | 1.78 |
| RO / NBR | 11.11 | 1.78 |
| RO / NBR | 12.42 | 1.78 |
| RO / NBR | 14.00 | 1.78 |
| RO / NBR | 15.60 | 1.78 |
| RO / NBR | 17.17 | 1.78 |
| RO / NBR | 18.77 | 1.78 |
| RO / NBR | 20.35 | 1.78 |
| RO / NBR | 21.95 | 1.78 |
| RO / NBR | 23.52 | 1.78 |
| RO / NBR | 25.12 | 1.78 |
| RO / NBR | 26.70 | 1.78 |
| RO / NBR | 28.30 | 1.78 |
| RO / NBR | 29.87 | 1.78 |
| RO / NBR | 31.47 | 1.78 |
| RO / NBR | 33.05 | 1.78 |
| RO / NBR | 34.65 | 1.78 |
| RO / NBR | 36.27 | 1.78 |
| RO / NBR | 37.82 | 1.78 |
| RO / NBR | 39.45 | 1.78 |
| RO / NBR | 41.00 | 1.78 |
| RO / NBR | 44.17 | 1.78 |
| RO / NBR | 47.35 | 1.78 |
| RO / NBR | 50.52 | 1.78 |
| RO / NBR | 53.70 | 1.78 |
| RO / NBR | 56.87 | 1.78 |
| RO / NBR | 60.04 | 1.78 |
| RO / NBR | 63.22 | 1.78 |
| RO / NBR | 66.40 | 1.78 |
| RO / NBR | 69.57 | 1.78 |
| RO / NBR | 72.75 | 1.78 |
| RO / NBR | 75.92 | 1.78 |
| RO / NBR | 79.00 | 1.78 |
| RO / NBR | 82.27 | 1.78 |
| RO / NBR | 85.34 | 1.78 |
| RO / NBR | 88.62 | 1.78 |
| RO / NBR | 91.70 | 1.78 |
| RO / NBR | 94.97 | 1.78 |
| RO / NBR | 98.05 | 1.78 |
| RO / NBR | 101.32 | 1.78 |
| RO / NBR | 104.40 | 1.78 |
| RO / NBR | 107.67 | 1.78 |
| RO / NBR | 110.74 | 1.78 |
| RO / NBR | 114.02 | 1.78 |
| RO / NBR | 117.10 | 1.78 |
| RO / NBR | 120.37 | 1.78 |
| RO / NBR | 123.44 | 1.78 |
| RO / NBR | 126.72 | 1.78 |
| RO / NBR | 129.40 | 1.78 |

| | | |
|----------|--------|------|
| RO / NBR | 133.07 | 1.78 |
| RO / NBR | 135.76 | 1.78 |
| RO / NBR | 138.94 | 1.78 |
| RO / NBR | 142.11 | 1.78 |
| RO / NBR | 145.29 | 1.78 |
| RO / NBR | 148.46 | 1.78 |
| RO / NBR | 151.64 | 1.78 |
| RO / NBR | 154.81 | 1.78 |
| RO / NBR | 158.00 | 1.78 |
| RO / NBR | 161.16 | 1.78 |
| RO / NBR | 164.34 | 1.78 |
| RO / NBR | 167.51 | 1.78 |
| RO / NBR | 170.69 | 1.78 |
| RO / NBR | 173.87 | 1.78 |
| RO / NBR | 1.24 | 2.62 |
| RO / NBR | 2.06 | 2.62 |
| RO / NBR | 2.84 | 2.62 |
| RO / NBR | 3.63 | 2.62 |
| RO / NBR | 4.42 | 2.62 |
| RO / NBR | 5.23 | 2.62 |
| RO / NBR | 6.02 | 2.62 |
| RO / NBR | 7.59 | 2.62 |
| RO / NBR | 9.13 | 2.62 |
| RO / NBR | 9.19 | 2.62 |
| RO / NBR | 9.90 | 2.62 |
| RO / NBR | 10.77 | 2.62 |
| RO / NBR | 11.91 | 2.62 |
| RO / NBR | 12.37 | 2.62 |
| RO / NBR | 12.70 | 2.62 |
| RO / NBR | 13.10 | 2.62 |
| RO / NBR | 13.94 | 2.62 |
| RO / NBR | 15.08 | 2.62 |
| RO / NBR | 15.34 | 2.62 |
| RO / NBR | 15.54 | 2.62 |
| RO / NBR | 15.88 | 2.62 |
| RO / NBR | 17.12 | 2.62 |
| RO / NBR | 17.46 | 2.62 |
| RO / NBR | 17.86 | 2.62 |
| RO / NBR | 18.72 | 2.62 |
| RO / NBR | 20.30 | 2.62 |
| RO / NBR | 20.64 | 2.62 |
| RO / NBR | 21.89 | 2.62 |
| RO / NBR | 22.22 | 2.62 |
| RO / NBR | 23.47 | 2.62 |
| RO / NBR | 23.81 | 2.62 |
| RO / NBR | 25.07 | 2.62 |
| RO / NBR | 26.64 | 2.62 |
| RO / NBR | 28.24 | 2.62 |
| RO / NBR | 29.82 | 2.62 |

| | | |
|----------|--------|------|
| RO / NBR | 31.42 | 2.62 |
| RO / NBR | 32.99 | 2.62 |
| RO / NBR | 34.59 | 2.62 |
| RO / NBR | 36.17 | 2.62 |
| RO / NBR | 37.77 | 2.62 |
| RO / NBR | 39.34 | 2.62 |
| RO / NBR | 40.94 | 2.62 |
| RO / NBR | 42.52 | 2.62 |
| RO / NBR | 44.12 | 2.62 |
| RO / NBR | 45.69 | 2.62 |
| RO / NBR | 47.29 | 2.62 |
| RO / NBR | 48.90 | 2.62 |
| RO / NBR | 50.47 | 2.62 |
| RO / NBR | 52.07 | 2.62 |
| RO / NBR | 53.64 | 2.62 |
| RO / NBR | 55.25 | 2.62 |
| RO / NBR | 56.82 | 2.62 |
| RO / NBR | 58.42 | 2.62 |
| RO / NBR | 59.99 | 2.62 |
| RO / NBR | 61.60 | 2.62 |
| RO / NBR | 63.17 | 2.62 |
| RO / NBR | 64.77 | 2.62 |
| RO / NBR | 66.34 | 2.62 |
| RO / NBR | 67.95 | 2.62 |
| RO / NBR | 69.52 | 2.62 |
| RO / NBR | 71.12 | 2.62 |
| RO / NBR | 72.69 | 2.62 |
| RO / NBR | 74.30 | 2.62 |
| RO / NBR | 75.87 | 2.62 |
| RO / NBR | 77.50 | 2.62 |
| RO / NBR | 80.60 | 2.62 |
| RO / NBR | 82.22 | 2.62 |
| RO / NBR | 83.80 | 2.62 |
| RO / NBR | 88.57 | 2.62 |
| RO / NBR | 94.92 | 2.62 |
| RO / NBR | 101.27 | 2.62 |
| RO / NBR | 107.62 | 2.62 |
| RO / NBR | 113.97 | 2.62 |
| RO / NBR | 120.32 | 2.62 |
| RO / NBR | 126.67 | 2.62 |
| RO / NBR | 133.02 | 2.62 |
| RO / NBR | 139.37 | 2.62 |
| RO / NBR | 145.72 | 2.62 |
| RO / NBR | 152.07 | 2.62 |
| RO / NBR | 158.42 | 2.62 |
| RO / NBR | 164.77 | 2.62 |
| RO / NBR | 171.12 | 2.62 |
| RO / NBR | 177.47 | 2.62 |
| RO / NBR | 183.82 | 2.62 |

| | | |
|----------|--------|------|
| RO / NBR | 190.17 | 2.62 |
| RO / NBR | 196.52 | 2.62 |
| RO / NBR | 202.87 | 2.62 |
| RO / NBR | 209.22 | 2.62 |
| RO / NBR | 215.57 | 2.62 |
| RO / NBR | 221.92 | 2.62 |
| RO / NBR | 228.27 | 2.62 |
| RO / NBR | 234.62 | 2.62 |
| RO / NBR | 240.97 | 2.62 |
| RO / NBR | 247.32 | 2.62 |
| RO / NBR | 4.34 | 3.53 |
| RO / NBR | 5.94 | 3.53 |
| RO / NBR | 7.52 | 3.53 |
| RO / NBR | 9.12 | 3.53 |
| RO / NBR | 10.69 | 3.53 |
| RO / NBR | 12.29 | 3.53 |
| RO / NBR | 13.87 | 3.53 |
| RO / NBR | 15.47 | 3.53 |
| RO / NBR | 17.04 | 3.53 |
| RO / NBR | 18.64 | 3.53 |
| RO / NBR | 20.22 | 3.53 |
| RO / NBR | 21.82 | 3.53 |
| RO / NBR | 23.39 | 3.53 |
| RO / NBR | 24.99 | 3.53 |
| RO / NBR | 25.80 | 3.53 |
| RO / NBR | 26.57 | 3.53 |
| RO / NBR | 28.17 | 3.53 |
| RO / NBR | 29.74 | 3.53 |
| RO / NBR | 31.34 | 3.53 |
| RO / NBR | 32.92 | 3.53 |
| RO / NBR | 34.52 | 3.53 |
| RO / NBR | 36.09 | 3.53 |
| RO / NBR | 37.69 | 3.53 |
| RO / NBR | 39.70 | 3.53 |
| RO / NBR | 40.87 | 3.53 |
| RO / NBR | 41.28 | 3.53 |
| RO / NBR | 42.86 | 3.53 |
| RO / NBR | 44.04 | 3.53 |
| RO / NBR | 44.45 | 3.53 |
| RO / NBR | 46.04 | 3.53 |
| RO / NBR | 47.22 | 3.53 |
| RO / NBR | 47.62 | 3.53 |
| RO / NBR | 49.21 | 3.53 |
| RO / NBR | 50.39 | 3.53 |
| RO / NBR | 50.80 | 3.53 |
| RO / NBR | 52.40 | 3.53 |
| RO / NBR | 53.57 | 3.53 |
| RO / NBR | 53.97 | 3.53 |
| RO / NBR | 55.56 | 3.53 |

| | | |
|----------|--------|------|
| RO / NBR | 56.74 | 3.53 |
| RO / NBR | 57.15 | 3.53 |
| RO / NBR | 58.74 | 3.53 |
| RO / NBR | 59.92 | 3.53 |
| RO / NBR | 60.32 | 3.53 |
| RO / NBR | 61.90 | 3.53 |
| RO / NBR | 63.09 | 3.53 |
| RO / NBR | 63.50 | 3.53 |
| RO / NBR | 65.10 | 3.53 |
| RO / NBR | 66.27 | 3.53 |
| RO / NBR | 66.67 | 3.53 |
| RO / NBR | 68.26 | 3.53 |
| RO / NBR | 69.44 | 3.53 |
| RO / NBR | 69.65 | 3.53 |
| RO / NBR | 71.44 | 3.53 |
| RO / NBR | 72.62 | 3.53 |
| RO / NBR | 73.03 | 3.53 |
| RO / NBR | 74.61 | 3.53 |
| RO / NBR | 75.79 | 3.53 |
| RO / NBR | 78.97 | 3.53 |
| RO / NBR | 82.14 | 3.53 |
| RO / NBR | 85.32 | 3.53 |
| RO / NBR | 88.49 | 3.53 |
| RO / NBR | 91.67 | 3.53 |
| RO / NBR | 94.84 | 3.53 |
| RO / NBR | 98.02 | 3.53 |
| RO / NBR | 101.19 | 3.53 |
| RO / NBR | 104.37 | 3.53 |
| RO / NBR | 107.54 | 3.53 |
| RO / NBR | 110.72 | 3.53 |
| RO / NBR | 113.89 | 3.53 |
| RO / NBR | 117.07 | 3.53 |
| RO / NBR | 120.24 | 3.53 |
| RO / NBR | 123.42 | 3.53 |
| RO / NBR | 126.59 | 3.53 |
| RO / NBR | 129.77 | 3.53 |
| RO / NBR | 132.94 | 3.53 |
| RO / NBR | 136.12 | 3.53 |
| RO / NBR | 139.29 | 3.53 |
| RO / NBR | 142.47 | 3.53 |
| RO / NBR | 145.64 | 3.53 |
| RO / NBR | 148.82 | 3.53 |
| RO / NBR | 151.99 | 3.53 |
| RO / NBR | 158.34 | 3.53 |
| RO / NBR | 164.69 | 3.53 |
| RO / NBR | 171.04 | 3.53 |
| RO / NBR | 177.39 | 3.53 |
| RO / NBR | 183.74 | 3.53 |
| RO / NBR | 190.09 | 3.53 |

| | | |
|----------|--------|------|
| RO / NBR | 194.44 | 3.53 |
| RO / NBR | 202.79 | 3.53 |
| RO / NBR | 209.14 | 3.53 |
| RO / NBR | 215.49 | 3.53 |
| RO / NBR | 221.84 | 3.53 |
| RO / NBR | 228.19 | 3.53 |
| RO / NBR | 234.54 | 3.53 |
| RO / NBR | 240.89 | 3.53 |
| RO / NBR | 247.24 | 3.53 |
| RO / NBR | 253.59 | 3.53 |
| RO / NBR | 266.29 | 3.53 |
| RO / NBR | 278.99 | 3.53 |
| RO / NBR | 291.69 | 3.53 |
| RO / NBR | 304.39 | 3.53 |
| RO / NBR | 329.79 | 3.53 |
| RO / NBR | 355.19 | 3.53 |
| RO / NBR | 380.59 | 3.53 |
| RO / NBR | 405.26 | 3.53 |
| RO / NBR | 430.66 | 3.53 |
| RO / NBR | 456.06 | 3.53 |
| RO / NBR | 10.46 | 5.34 |
| RO / NBR | 12.07 | 5.34 |
| RO / NBR | 13.64 | 5.34 |
| RO / NBR | 15.24 | 5.34 |
| RO / NBR | 16.81 | 5.34 |
| RO / NBR | 18.42 | 5.34 |
| RO / NBR | 19.99 | 5.34 |
| RO / NBR | 21.59 | 5.34 |
| RO / NBR | 23.16 | 5.34 |
| RO / NBR | 24.77 | 5.34 |
| RO / NBR | 26.34 | 5.34 |
| RO / NBR | 27.94 | 5.34 |
| RO / NBR | 29.51 | 5.34 |
| RO / NBR | 31.12 | 5.34 |
| RO / NBR | 32.69 | 5.34 |
| RO / NBR | 34.29 | 5.34 |
| RO / NBR | 37.47 | 5.34 |
| RO / NBR | 40.64 | 5.34 |
| RO / NBR | 42.52 | 5.34 |
| RO / NBR | 45.82 | 5.34 |
| RO / NBR | 46.99 | 5.34 |
| RO / NBR | 50.16 | 5.34 |
| RO / NBR | 53.34 | 5.34 |
| RO / NBR | 56.52 | 5.34 |
| RO / NBR | 59.69 | 5.34 |
| RO / NBR | 62.87 | 5.34 |
| RO / NBR | 66.04 | 5.34 |
| RO / NBR | 69.22 | 5.34 |
| RO / NBR | 72.39 | 5.34 |

| | | |
|----------|--------|------|
| RO / NBR | 74.63 | 5.34 |
| RO / NBR | 75.57 | 5.34 |
| RO / NBR | 78.74 | 5.34 |
| RO / NBR | 79.77 | 5.34 |
| RO / NBR | 81.92 | 5.34 |
| RO / NBR | 85.09 | 5.34 |
| RO / NBR | 88.27 | 5.34 |
| RO / NBR | 89.69 | 5.34 |
| RO / NBR | 91.44 | 5.34 |
| RO / NBR | 94.62 | 5.34 |
| RO / NBR | 97.79 | 5.34 |
| RO / NBR | 100.00 | 5.34 |
| RO / NBR | 100.97 | 5.34 |
| RO / NBR | 104.14 | 5.34 |
| RO / NBR | 107.32 | 5.34 |
| RO / NBR | 109.54 | 5.34 |
| RO / NBR | 110.49 | 5.34 |
| RO / NBR | 113.67 | 5.34 |
| RO / NBR | 116.84 | 5.34 |
| RO / NBR | 117.48 | 5.34 |
| RO / NBR | 120.02 | 5.34 |
| RO / NBR | 120.65 | 5.34 |
| RO / NBR | 123.19 | 5.34 |
| RO / NBR | 123.83 | 5.34 |
| RO / NBR | 126.37 | 5.34 |
| RO / NBR | 127.00 | 5.34 |
| RO / NBR | 129.54 | 5.34 |
| RO / NBR | 130.18 | 5.34 |
| RO / NBR | 132.72 | 5.34 |
| RO / NBR | 133.35 | 5.34 |
| RO / NBR | 135.89 | 5.34 |
| RO / NBR | 136.53 | 5.34 |
| RO / NBR | 139.07 | 5.34 |
| RO / NBR | 139.70 | 5.34 |
| RO / NBR | 142.24 | 5.34 |
| RO / NBR | 142.88 | 5.34 |
| RO / NBR | 145.42 | 5.34 |
| RO / NBR | 146.05 | 5.34 |
| RO / NBR | 148.59 | 5.34 |
| RO / NBR | 149.23 | 5.34 |
| RO / NBR | 151.77 | 5.34 |
| RO / NBR | 155.00 | 5.34 |
| RO / NBR | 158.12 | 5.34 |
| RO / NBR | 161.30 | 5.34 |
| RO / NBR | 164.47 | 5.34 |
| RO / NBR | 167.70 | 5.34 |
| RO / NBR | 170.82 | 5.34 |
| RO / NBR | 174.00 | 5.34 |
| RO / NBR | 177.17 | 5.34 |

| | | |
|----------|--------|------|
| RO / NBR | 183.52 | 5.34 |
| RO / NBR | 189.87 | 5.34 |
| RO / NBR | 196.22 | 5.34 |
| RO / NBR | 202.57 | 5.34 |
| RO / NBR | 208.92 | 5.34 |
| RO / NBR | 215.27 | 5.34 |
| RO / NBR | 221.62 | 5.34 |
| RO / NBR | 227.97 | 5.34 |
| RO / NBR | 234.32 | 5.34 |
| RO / NBR | 240.67 | 5.34 |
| RO / NBR | 247.02 | 5.34 |
| RO / NBR | 253.37 | 5.34 |
| RO / NBR | 266.07 | 5.34 |
| RO / NBR | 278.77 | 5.34 |
| RO / NBR | 291.47 | 5.34 |
| RO / NBR | 304.17 | 5.34 |
| RO / NBR | 329.57 | 5.34 |
| RO / NBR | 354.97 | 5.34 |
| RO / NBR | 380.37 | 5.34 |
| RO / NBR | 405.26 | 5.34 |
| RO / NBR | 430.66 | 5.34 |
| RO / NBR | 456.06 | 5.34 |
| RO / NBR | 481.41 | 5.34 |
| RO / NBR | 506.81 | 5.34 |
| RO / NBR | 532.21 | 5.34 |
| RO / NBR | 557.61 | 5.34 |
| RO / NBR | 582.68 | 5.34 |
| RO / NBR | 608.08 | 5.34 |
| RO / NBR | 633.48 | 5.34 |
| RO / NBR | 658.88 | 5.34 |
| RO / NBR | 113.67 | 6.99 |
| RO / NBR | 114.70 | 6.99 |
| RO / NBR | 116.84 | 6.99 |
| RO / NBR | 120.02 | 6.99 |
| RO / NBR | 123.79 | 6.99 |
| RO / NBR | 124.60 | 6.99 |
| RO / NBR | 126.37 | 6.99 |
| RO / NBR | 129.54 | 6.99 |
| RO / NBR | 132.72 | 6.99 |
| RO / NBR | 134.50 | 6.99 |
| RO / NBR | 135.89 | 6.99 |
| RO / NBR | 139.07 | 6.99 |
| RO / NBR | 142.24 | 6.99 |
| RO / NBR | 145.42 | 6.99 |
| RO / NBR | 148.59 | 6.99 |
| RO / NBR | 151.77 | 6.99 |
| RO / NBR | 155.60 | 6.99 |
| RO / NBR | 158.12 | 6.99 |
| RO / NBR | 159.50 | 6.99 |

| | | |
|----------|--------|------|
| RO / NBR | 161.90 | 6.99 |
| RO / NBR | 164.47 | 6.99 |
| RO / NBR | 166.70 | 6.99 |
| RO / NBR | 168.30 | 6.99 |
| RO / NBR | 170.82 | 6.99 |
| RO / NBR | 174.60 | 6.99 |
| RO / NBR | 177.17 | 6.99 |
| RO / NBR | 181.00 | 6.99 |
| RO / NBR | 183.52 | 6.99 |
| RO / NBR | 187.30 | 6.99 |
| RO / NBR | 189.87 | 6.99 |
| RO / NBR | 193.70 | 6.99 |
| RO / NBR | 196.22 | 6.99 |
| RO / NBR | 200.00 | 6.99 |
| RO / NBR | 202.57 | 6.99 |
| RO / NBR | 208.92 | 6.99 |
| RO / NBR | 215.27 | 6.99 |
| RO / NBR | 221.62 | 6.99 |
| RO / NBR | 227.97 | 6.99 |
| RO / NBR | 234.32 | 6.99 |
| RO / NBR | 240.67 | 6.99 |
| RO / NBR | 247.00 | 6.99 |
| RO / NBR | 253.37 | 6.99 |
| RO / NBR | 259.70 | 6.99 |
| RO / NBR | 266.07 | 6.99 |
| RO / NBR | 272.40 | 6.99 |
| RO / NBR | 278.77 | 6.99 |
| RO / NBR | 285.10 | 6.99 |
| RO / NBR | 287.81 | 6.99 |
| RO / NBR | 291.47 | 6.99 |
| RO / NBR | 297.80 | 6.99 |
| RO / NBR | 304.17 | 6.99 |
| RO / NBR | 310.50 | 6.99 |
| RO / NBR | 316.87 | 6.99 |
| RO / NBR | 323.20 | 6.99 |
| RO / NBR | 329.57 | 6.99 |
| RO / NBR | 335.90 | 6.99 |
| RO / NBR | 342.27 | 6.99 |
| RO / NBR | 354.97 | 6.99 |
| RO / NBR | 367.67 | 6.99 |
| RO / NBR | 380.37 | 6.99 |
| RO / NBR | 393.07 | 6.99 |
| RO / NBR | 405.26 | 6.99 |
| RO / NBR | 417.96 | 6.99 |
| RO / NBR | 430.66 | 6.99 |
| RO / NBR | 443.36 | 6.99 |
| RO / NBR | 456.06 | 6.99 |
| RO / NBR | 468.76 | 6.99 |
| RO / NBR | 481.46 | 6.99 |

| | | |
|----------|--------|------|
| RO / NBR | 494.16 | 6.99 |
| RO / NBR | 506.86 | 6.99 |
| RO / NBR | 532.26 | 6.99 |
| RO / NBR | 557.66 | 6.99 |
| RO / NBR | 582.68 | 6.99 |
| RO / NBR | 608.08 | 6.99 |
| RO / NBR | 633.48 | 6.99 |
| RO / NBR | 656.88 | 6.99 |